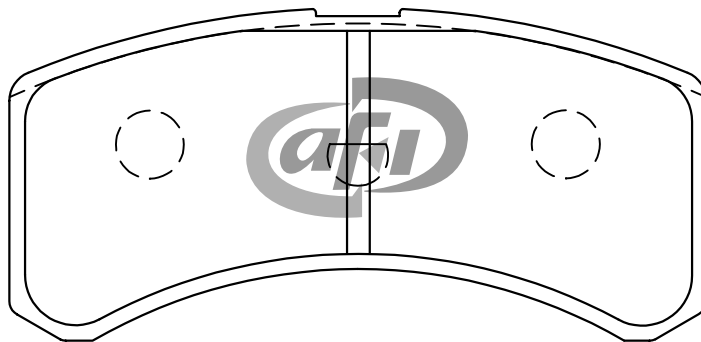
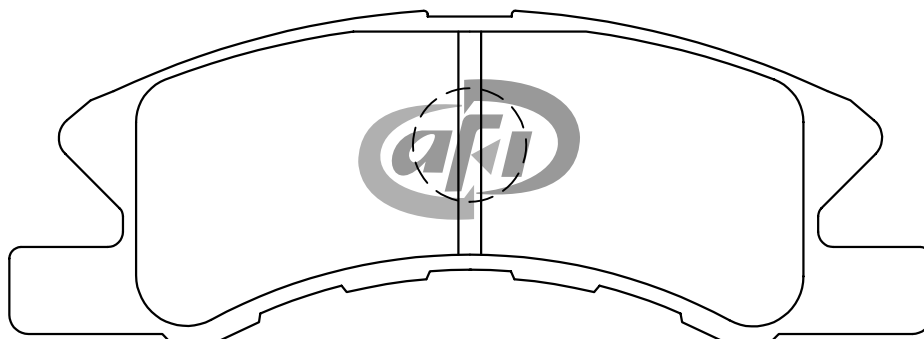


AUTOMOTIVE DISC PAD IDENTIFICATION



X = 92.2mm Y= 44.0mm Z= 15.0mm



X = 122.2mm Y= 44.0mm Z= 15.0mm

Part No : **D 6100**

Vehicle Make	Model	Year	F / R
PROTON	Juara	2000	FRONT