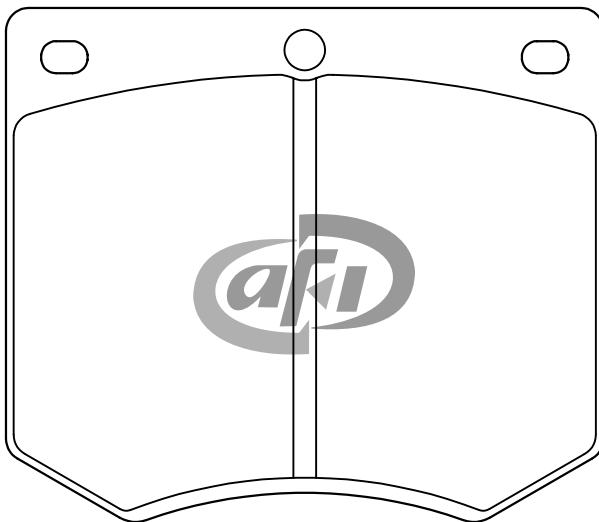


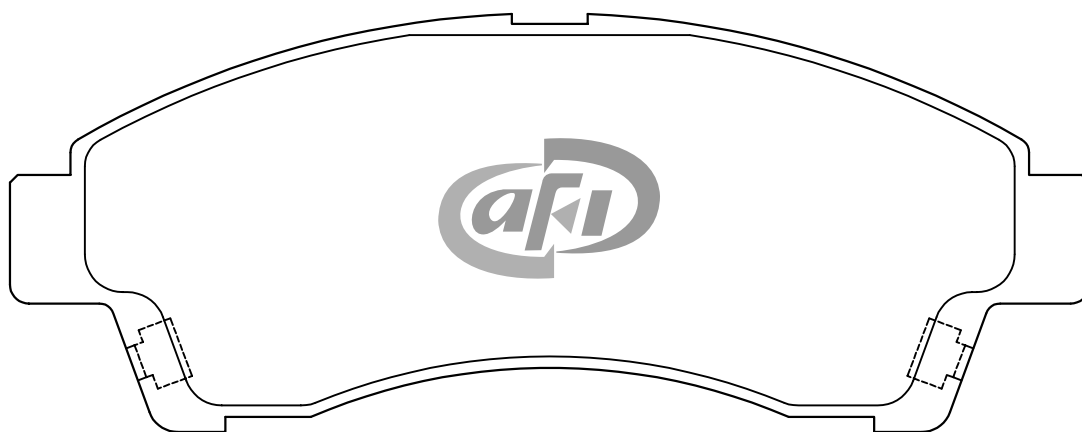
AUTOMOTIVE DISC PAD IDENTIFICATION



X = 79.0mm Y= 68.0mm Z= 15.0mm

Part No : **DB 625**

Vehicle Make	Model	Year	F / R
FORD	Escort 1.1, 1.3 GH/A Cortina 2.0	1978 - 81 1978 - 82	REAR



X = 142.8mm Y= 55.8mm Z= 16.0mm

Part No : **DB 1322**

Vehicle Make	Model	Year	F / R
FORD	Courier	-	FRONT