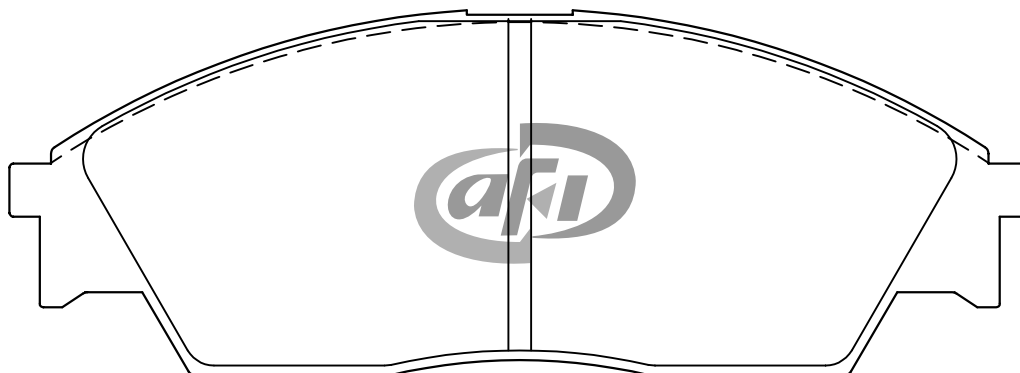


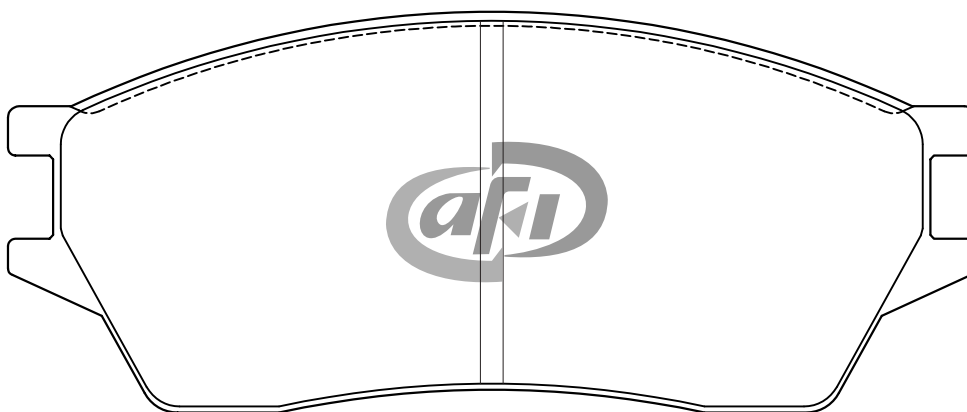
AUTOMOTIVE DISC PAD IDENTIFICATION



X = 132.0mm Y= 48.3mm Z= 15.0mm

Part No : **D 5021**

Vehicle Make	Model	Year	F / R
HONDA	Accord CA1, CA2 Vigor	1985 1988	FRONT



X = 127.5mm Y= 53.0mm Z= 17.0mm

Part No : **D 5025**

Vehicle Make	Model	Year	F / R
HONDA	Prelude 2.0 90'	-	FRONT