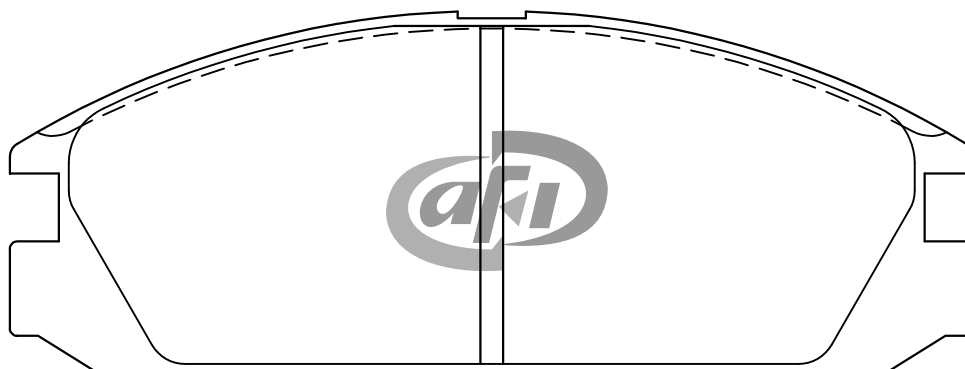


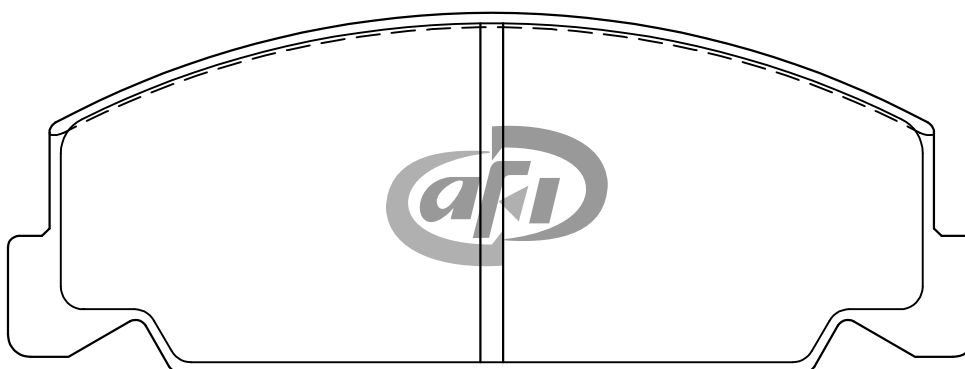
AUTOMOTIVE DISC PAD IDENTIFICATION



X = 127.0mm Y= 48.0mm Z= 15.0mm

Part No : **D 5033**

Vehicle Make	Model	Year	F / R
HONDA	Accord CA3, CA5, SE3	-	FRONT



X = 128.0mm Y= 47.5mm Z= 15.0mm

Part No : **D 5035**

Vehicle Make	Model	Year	F / R
HONDA	Civic 1500 Shuttle	1985	FRONT