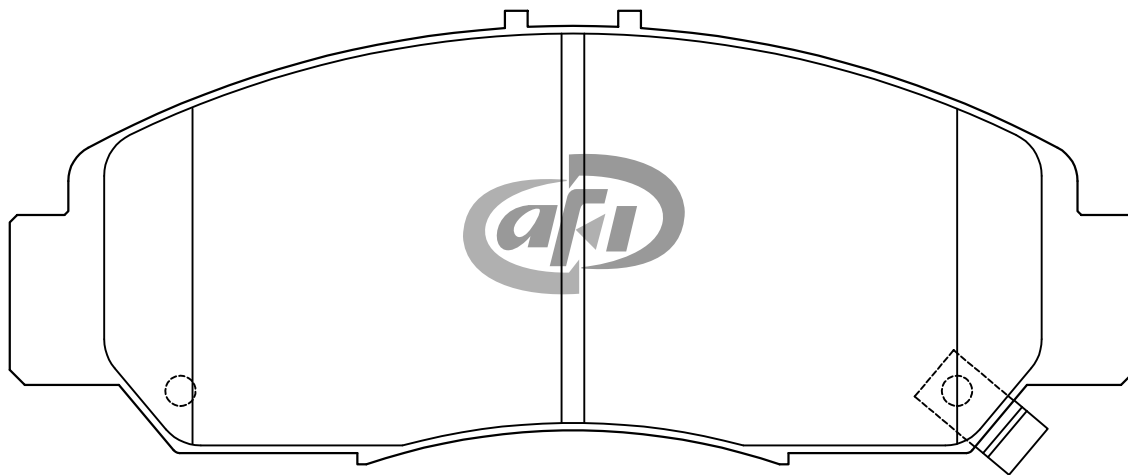
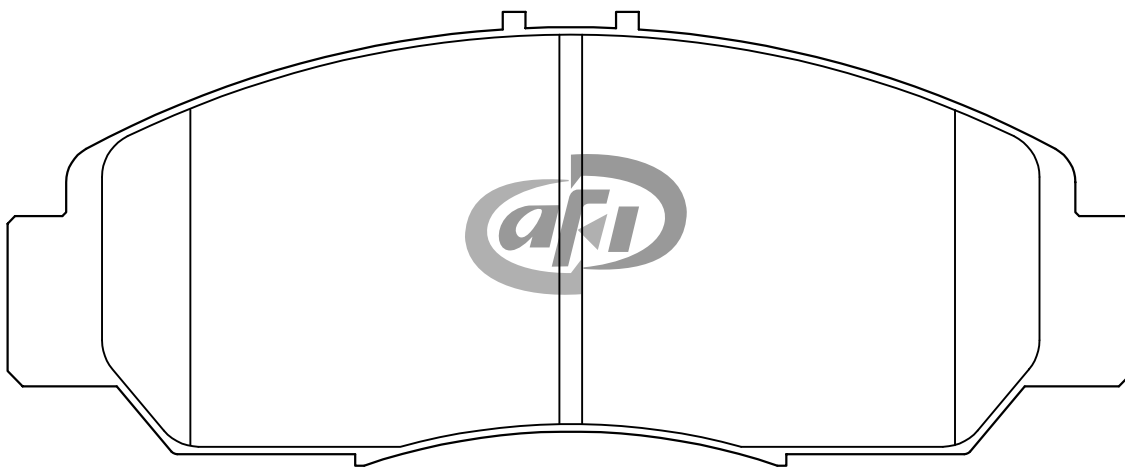


AUTOMOTIVE DISC PAD IDENTIFICATION



These pads are **RIGHT** and **LEFT HANDED**.

X = 148.5mm Y= 60.0mm Z= 15.5mm



X = 148.5mm Y= 60.0mm Z= 15.5mm

Part No : **D 5113M**

Vehicle Make	Model	Year	F / R
HONDA	Stream 2.0 Accord 2.0, 2.4	2002 2004	FRONT