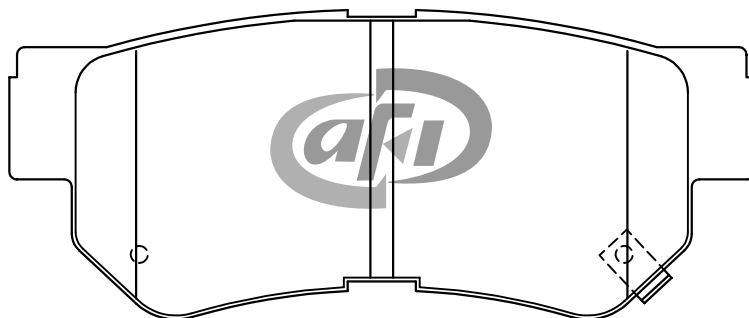
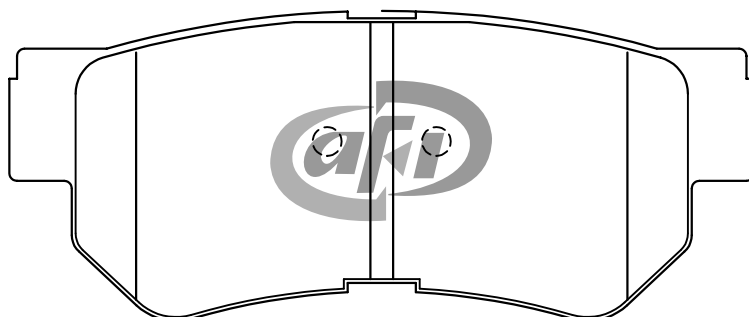


AUTOMOTIVE DISC PAD IDENTIFICATION



These pads are **RIGHT** and **LEFT HANDED**.

X = 98.5 mm Y= 40.92 mm Z= 15.0 mm



X = 98.5 mm Y= 40.92 mm Z= 15.0 mm

Part No : **DK 8015M**

Vehicle Make	Model	Year	F / R
HYUNDAI SSANGYONG	Trajjet XG Rexton 270, Sonata	2000 2003	REAR