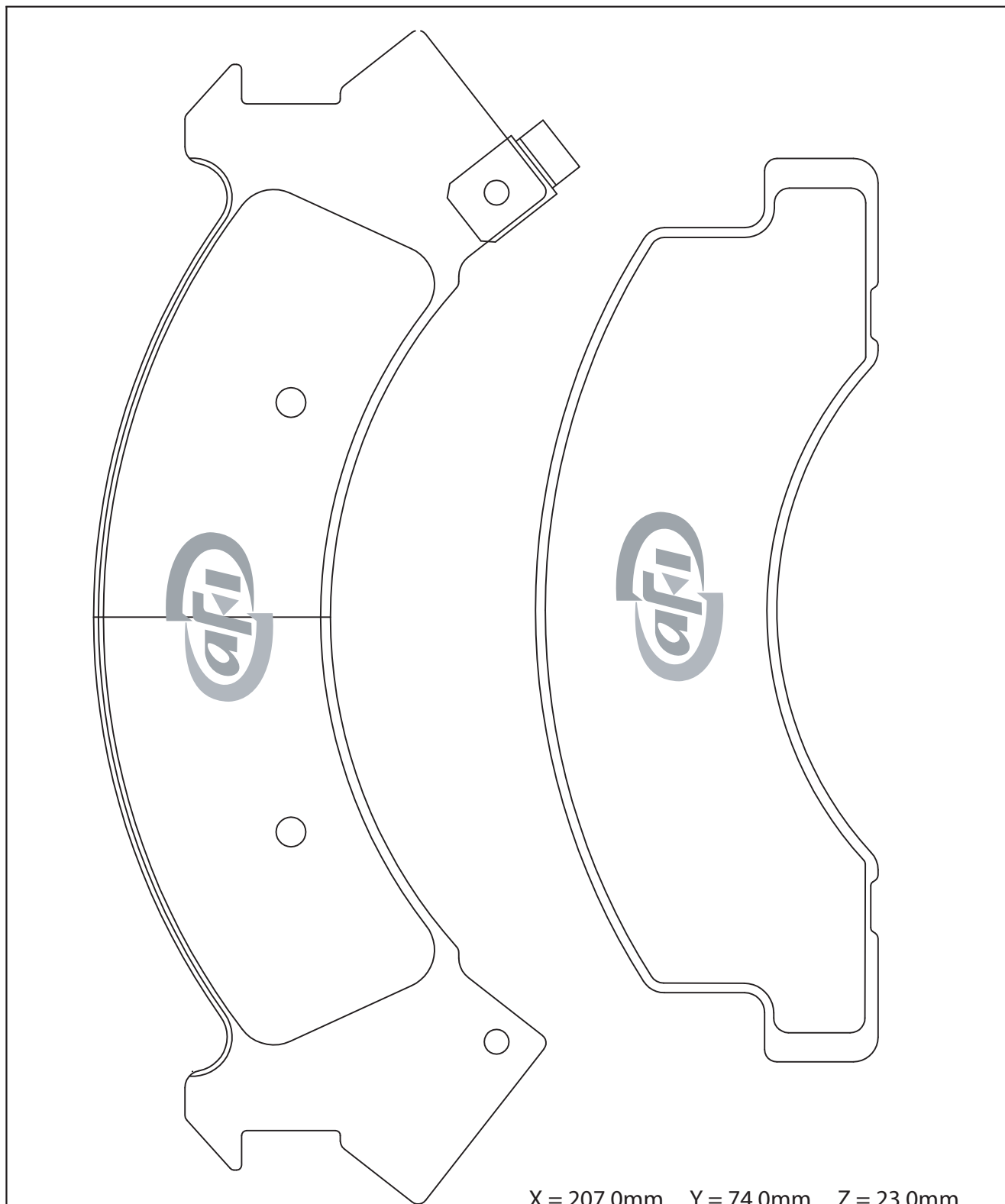


AUTOMOTIVE DISC PAD IDENTIFICATION



Part No. D 4018

X = 207.0mm Y = 74.0mm Z = 23.0mm

Vehicle Make	Model	Year	F / R
ISUZU	NPR 58, 59, 66, 71, 72 NKR 55, 57, 58, 63	1999-93	FRONT