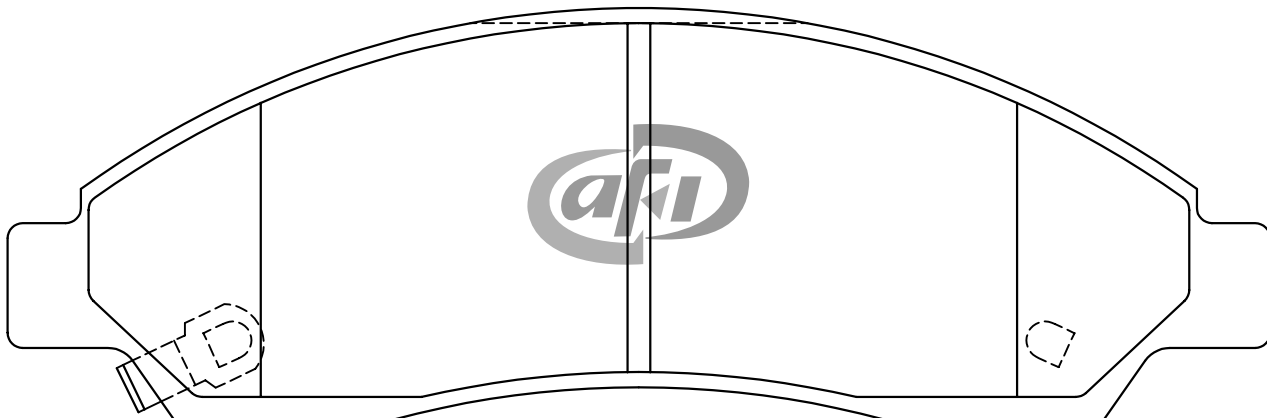
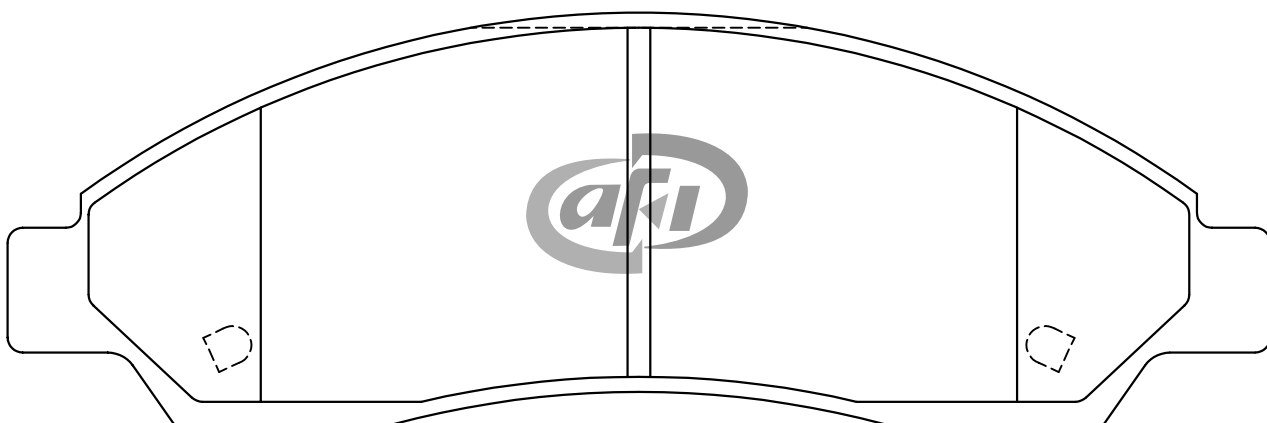


AUTOMOTIVE DISC PAD IDENTIFICATION



These pads are **RIGHT** and **LEFT HANDED**.

X = 167mm Y= 54.45mm Z= 16.5mm



X = 167mm Y= 54.45mm Z= 16.5mm

Part No : **D 4901M**

Vehicle Make	Model	Year	F / R
ISUZU	D MAX 2WD 2500, 2700 4WD	2005	FRONT