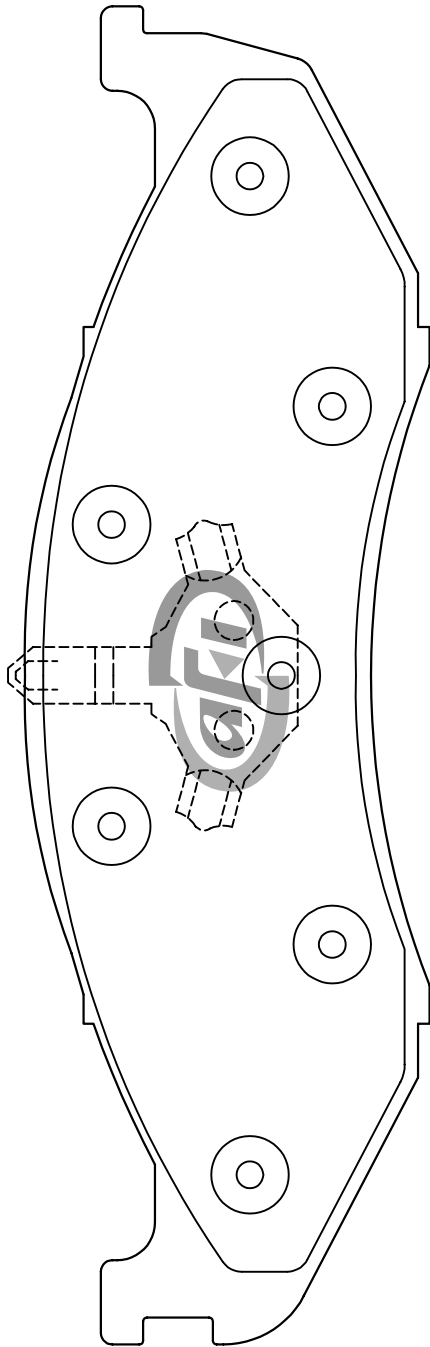
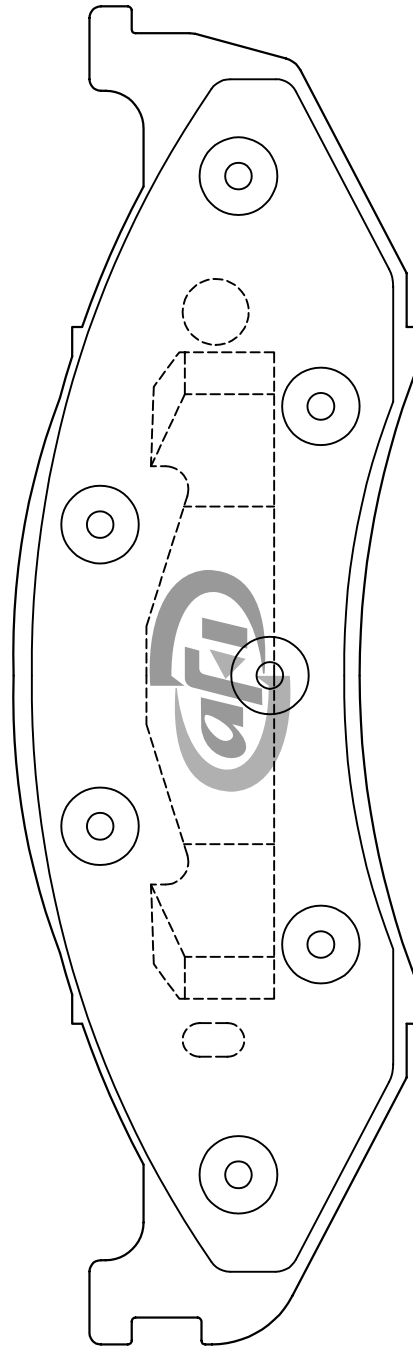


AUTOMOTIVE DISC PAD IDENTIFICATION



These pads are **RIGHT**
and **LEFT HANDED**.

X = 176.7mm Y = 55.7mm Z = 16.0mm



These pads are **RIGHT**
and **LEFT HANDED**.

X = 177.0mm Y = 55.0mm Z = 17.2mm

Part No : **DB 1311**

Vehicle Make	Model	Year	F / R
JEEP	Grand Cherokee 4.0i V6 2WD, 4WD Wrangler 2.5, 4.0i / Larode / Sahara	1993 - 1990 -	FRONT