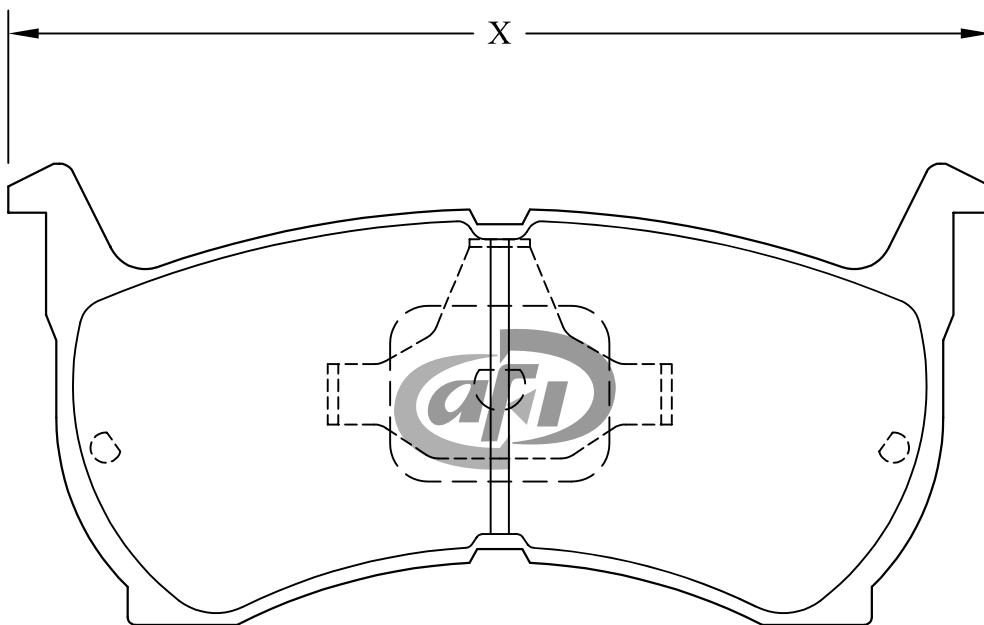
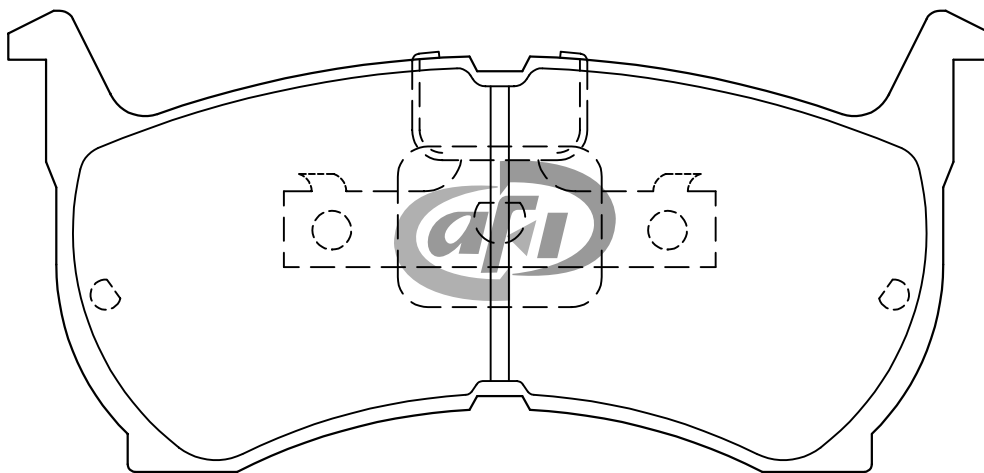


AUTOMOTIVE DISC PAD IDENTIFICATION



X = 130.0mm Y= 61.0mm Z= 15.0mm



X = 130.0mm Y= 61.0mm Z= 15.0mm

Part No : **D 3016**

Vehicle Make	Model	Year	F / R
MAZDA	Capella 626 E, SG, GC 6P Telstar 1600, 1800, GT, SG	1982	FRONT