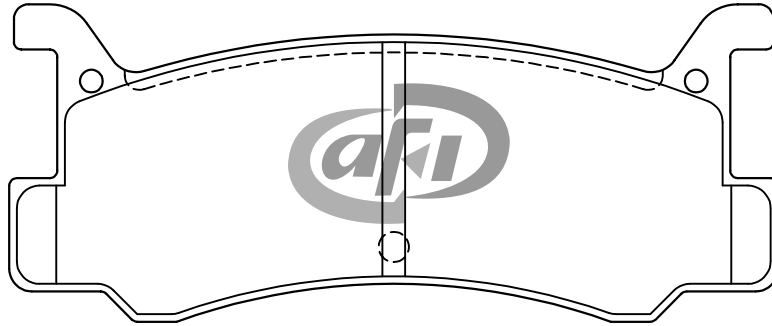


AUTOMOTIVE DISC PAD IDENTIFICATION



X = 101.7mm Y= 42.0mm Z= 12.5mm

Part No : **D 3031**

Vehicle Make	Model	Year	F / R
DAIHATSU	Charade G200, 1300	1993	REAR
MAZDA	Familia 323 BF, Astina	1989	
FORD	TX3 1.6		