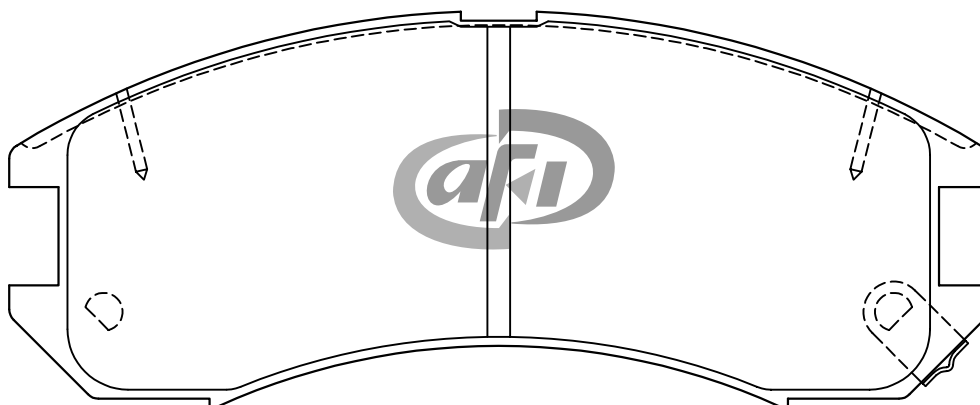
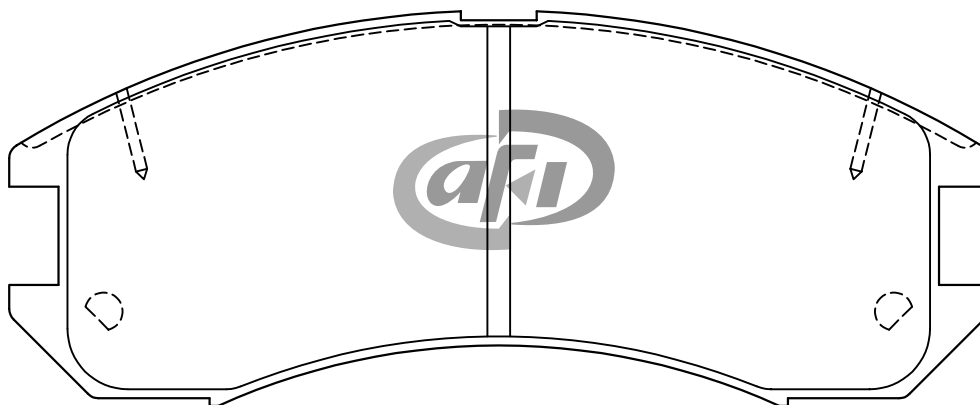


## AUTOMOTIVE DISC PAD IDENTIFICATION



These pads are **RIGHT** and **LEFT HANDED**.

X = 129.8mm Y= 52.0mm Z= 16.0mm



X = 129.8mm Y= 52.0mm Z= 16.0mm

Part No : **D 3053M**

Vehicle Make	Model	Year	F / R
MAZDA FORD	Capella 1600, 1800, 626 1.8, 2.0 TX5	1988	FRONT