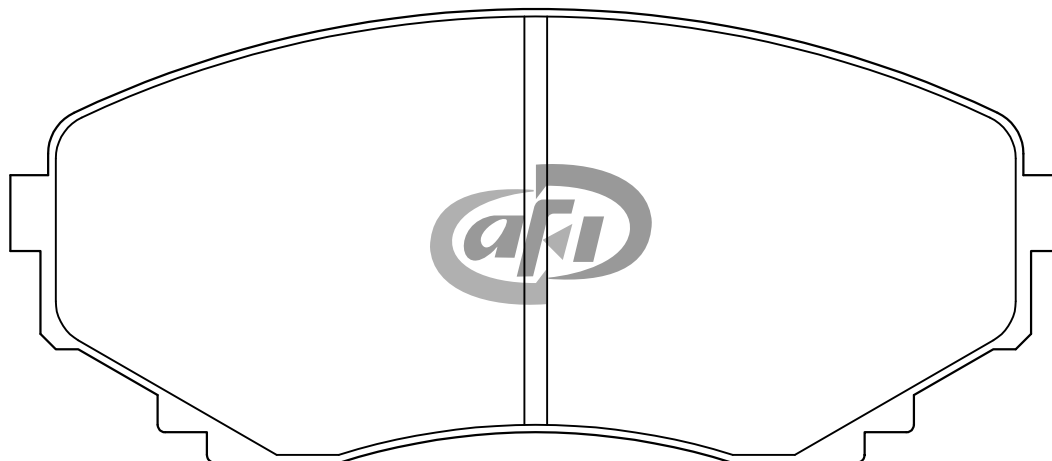


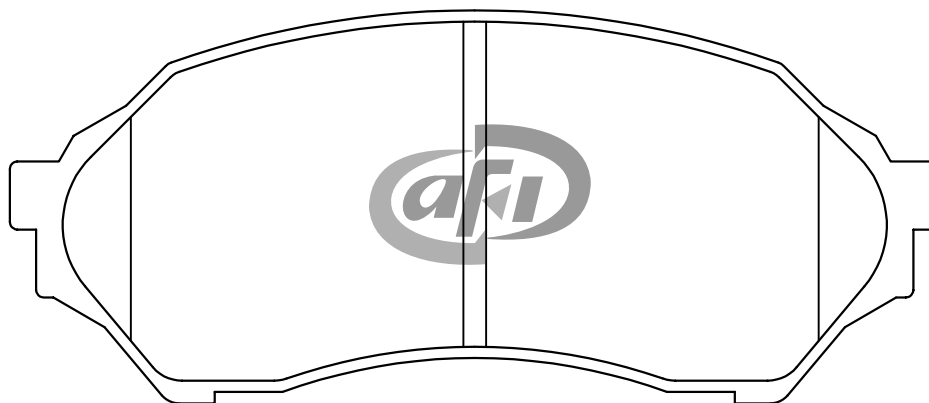
AUTOMOTIVE DISC PAD IDENTIFICATION



X = 139.0mm Y= 60.0mm Z= 16.0mm

Part No : **D 3099**

Vehicle Make	Model	Year	F / R
MAZDA	Econovan Spectron E1300, E1400	2000	FRONT



X = 123.0mm Y= 52.0mm Z= 15.0mm

Part No : **D 3109**

Vehicle Make	Model	Year	F / R
MAZDA	Laser 2000, 323	2001	FRONT