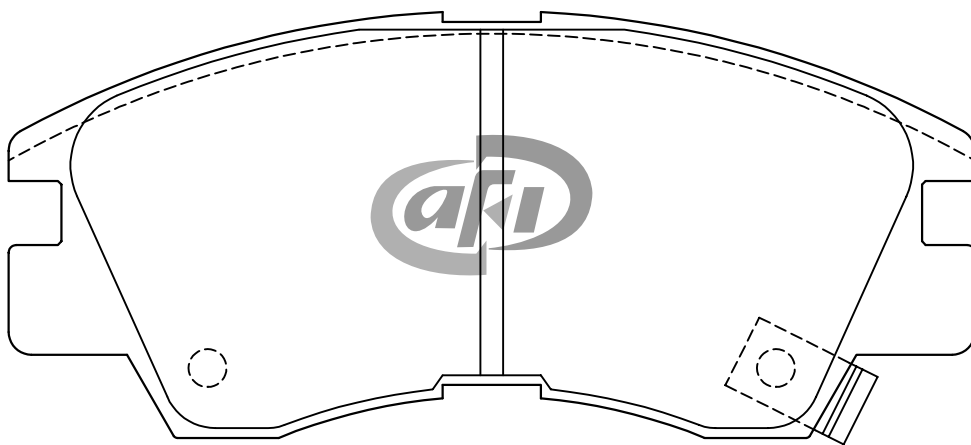
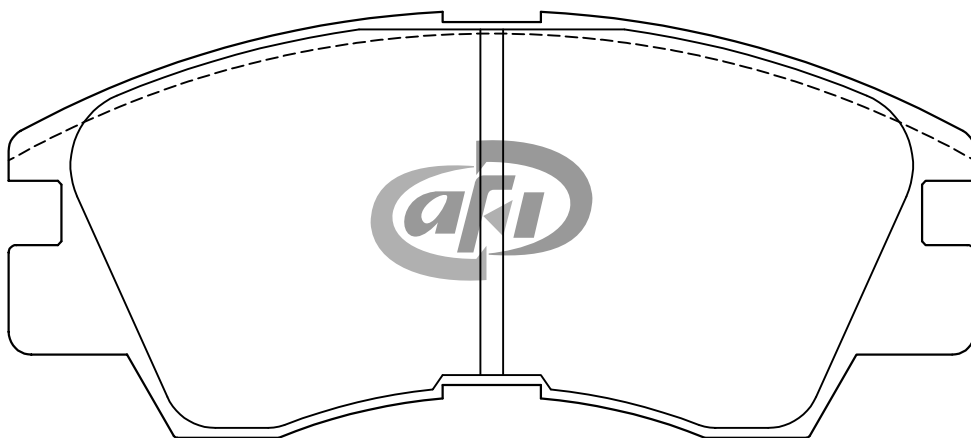


## AUTOMOTIVE DISC PAD IDENTIFICATION



These pads are **RIGHT** and **LEFT HANDED**.

X = 127.8mm Y= 56.5mm Z= 17.0mm



X = 127.8mm Y= 56.5mm Z= 17.0mm

Part No : **D 6018M**

Vehicle Make	Model	Year	F / R
<p> <b> </b> </p>	<p> <b> </b> </p>	<p> <b> </b> </p>	<p> <b> </b> </p>