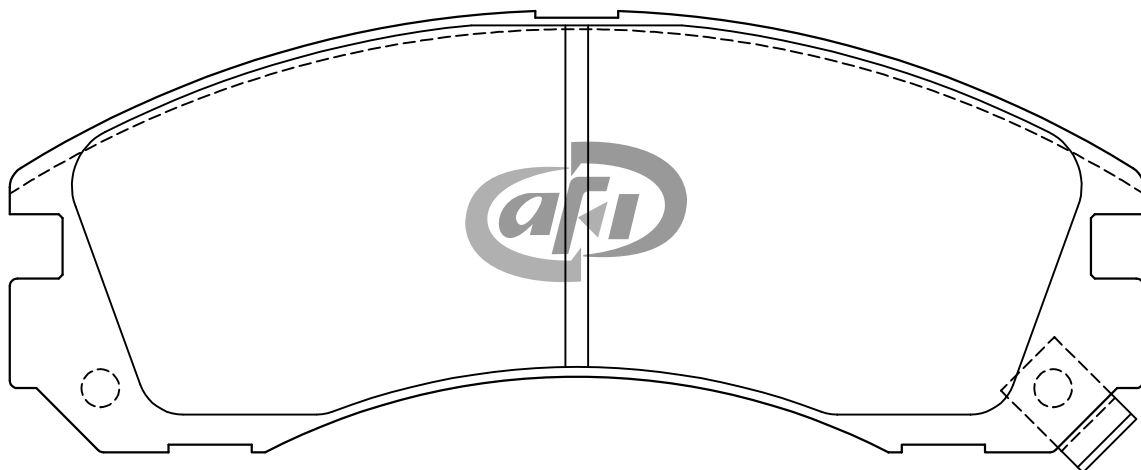
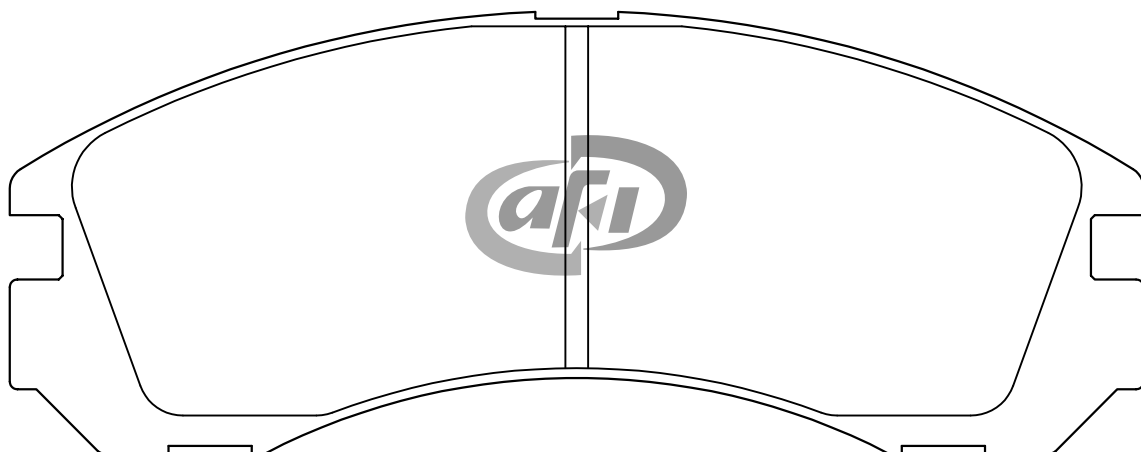


## AUTOMOTIVE DISC PAD IDENTIFICATION



These pads are **RIGHT** and **LEFT HANDED**.

X = 150.0mm Y= 58.5mm Z= 16.0mm



X = 150.0mm Y= 58.5mm Z= 16.0mm

Part No : **D 6039M**

Vehicle Make	Model	Year	F / R
MITSUBISHI	Pajero 3000 V6, V4 Pajero 2.8, 3.0, 3.5 Air Trek Turbo Shogun 2.5,2.8,3.0 Galant E39A (VR4 Modified)	1993 1994 2003	FRONT