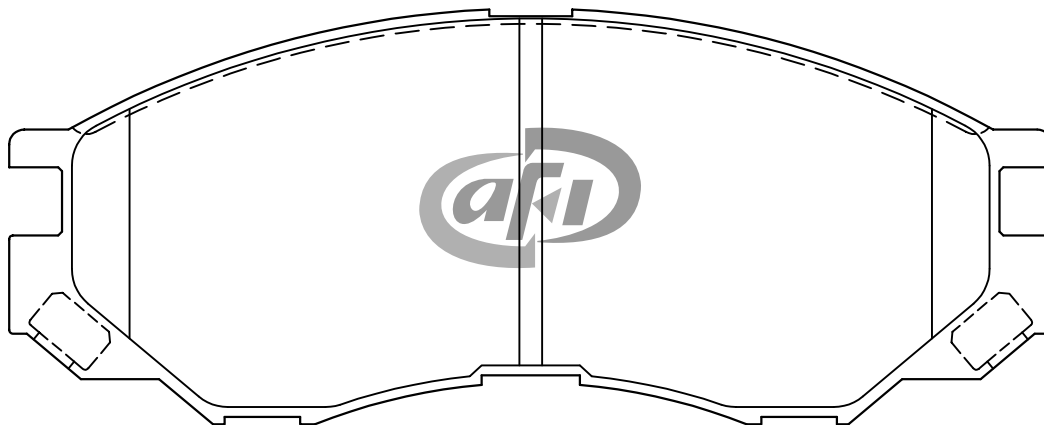


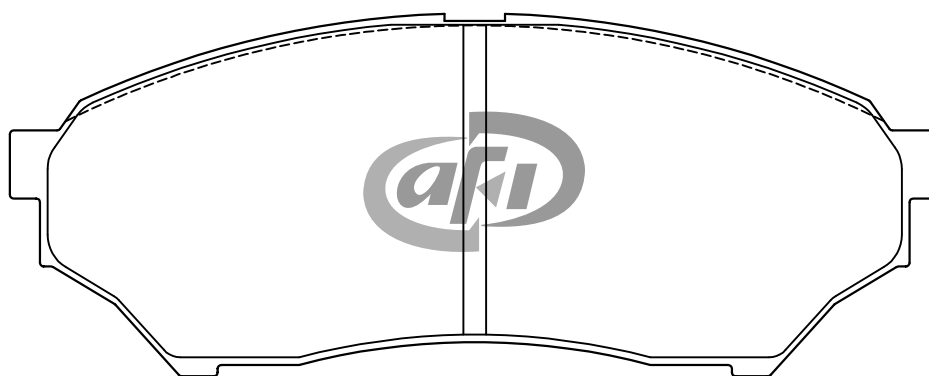
AUTOMOTIVE DISC PAD IDENTIFICATION



X = 138.0mm Y= 55.0mm Z= 16.0mm

Part No : **D 6081**

Vehicle Make	Model	Year	F / R
mitsubishi	L400, Pajero 16V	1998	FRONT



X = 123.0mm Y= 48.0mm Z= 15.5mm

Part No : **D 6089**

Vehicle Make	Model	Year	F / R
mitsubishi	Pajero Mini 101 D Pajero New 10DHC	2000 2000	FRONT