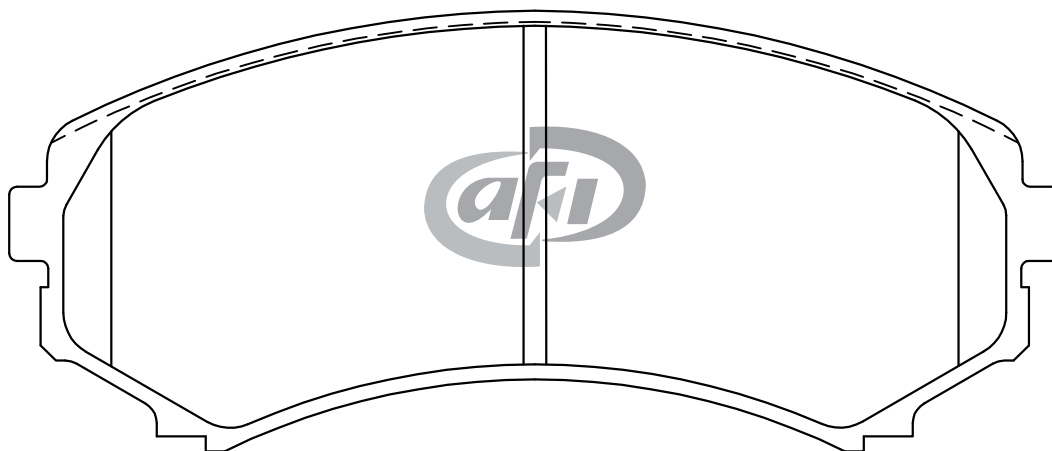


## AUTOMOTIVE DISC PAD IDENTIFICATION



X = 139.0mm Y= 58.3mm Z= 15.0mm

Part No : **D 6085**

Vehicle Make	Model	Year	F / R
MITSUBISHI	Proudia, Dignity, Debonair V S32A, S33A, S43A	1999	FRONT
	Pajero V55WG	1990	
	Pajero V63W, V65W, V68W, V73W, V75W, V78W	1999	