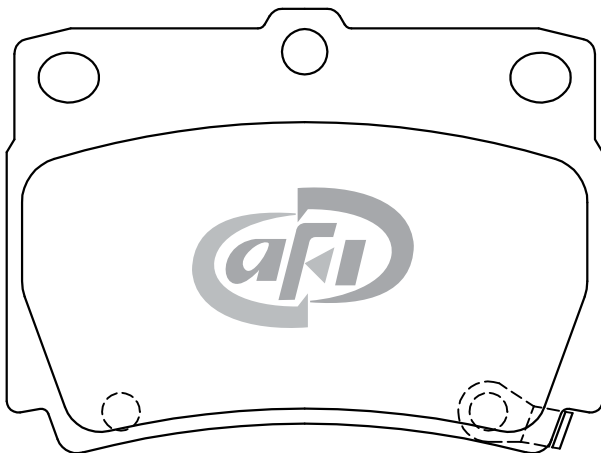
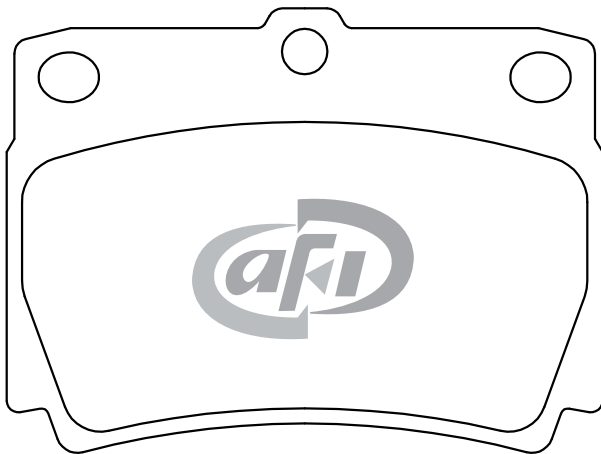


## AUTOMOTIVE DISC PAD IDENTIFICATION



These pads are **RIGHT** and **LEFT HANDED**.

X = 78.8mm Y= 58.8mm Z= 15.0mm



X = 78.8mm Y= 58.8mm Z= 15.0mm

Part No : **D 6086M**

Vehicle Make	Model	Year	F / R
MITSUBISHI	Challenger K94W, K94WG, K96W, K96WG, K97WG, K99W	1996	REAR