

AUTOMOTIVE DISC PAD IDENTIFICATION

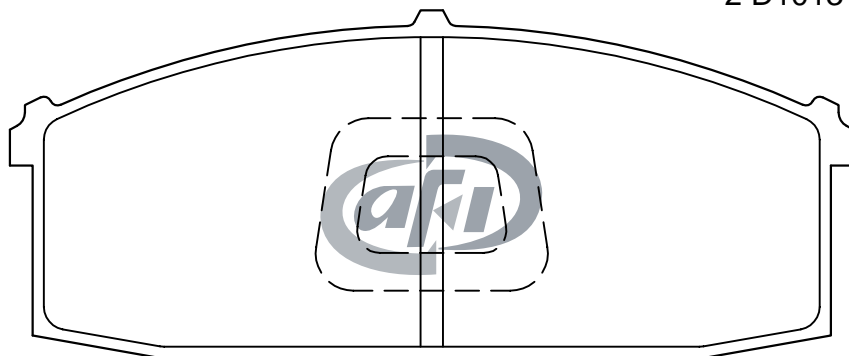


X = 111.6mm Y= 46.0mm Z= 14.5mm

Part No : **D 1012**

Vehicle Make	Model	Year	F / R
NISSAN	Vanette C20 Van	1980	FRONT

SET CONSISTS OF :
2 D1012
2 D1013



X = 111.6mm Y= 46.0mm Z= 14.5mm

Part No : **D 1013**

Vehicle Make	Model	Year	F / R
NISSAN	Bluebird 1600, U11 Stanza	1981	FRONT