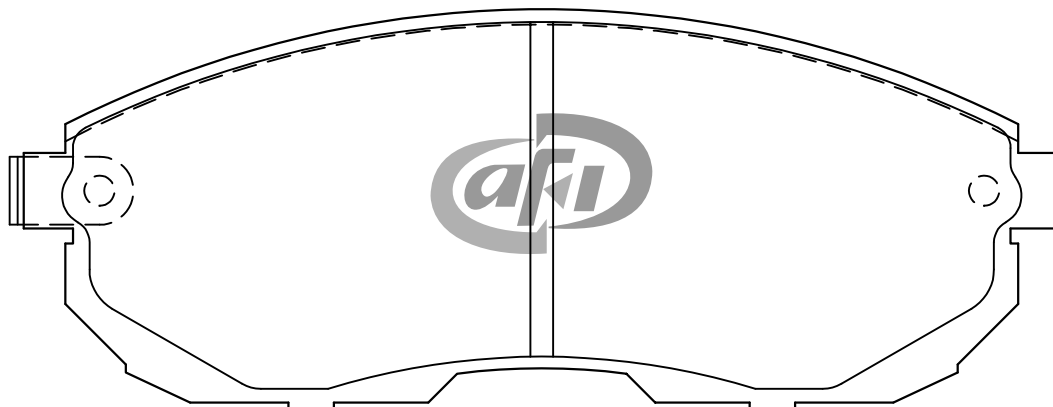
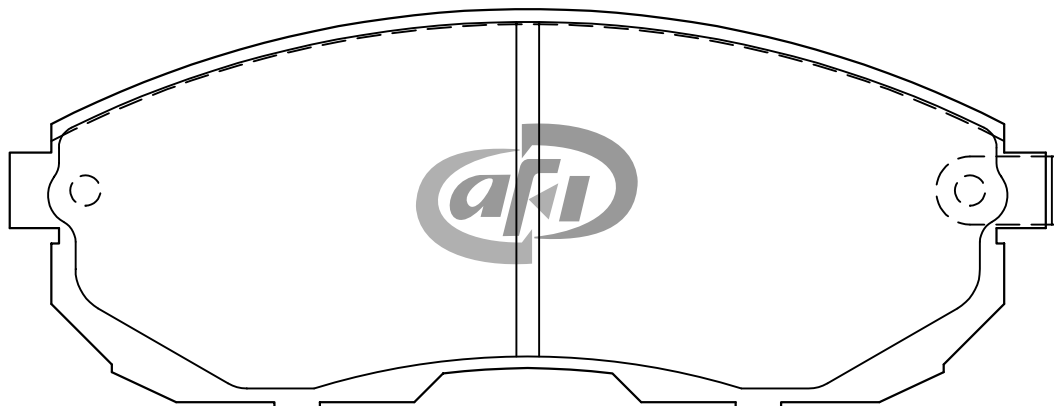


AUTOMOTIVE DISC PAD IDENTIFICATION



These pads are **RIGHT** and **LEFT HANDED**.

X = 137.0mm Y= 53.0mm Z= 17.0 mm



These pads are **RIGHT** and **LEFT HANDED**.

X = 137.0mm Y= 53.0mm Z= 17.0 mm

Part No : **D 1119M**

Vehicle Make	Model	Year	F / R
NISSAN	Cefiro 2000 A31, Altima 2.4 16V Fairlady Z33	1988 2002	FRONT