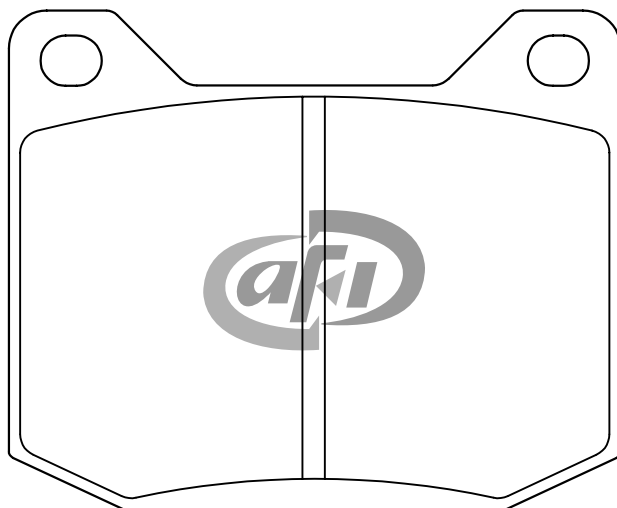
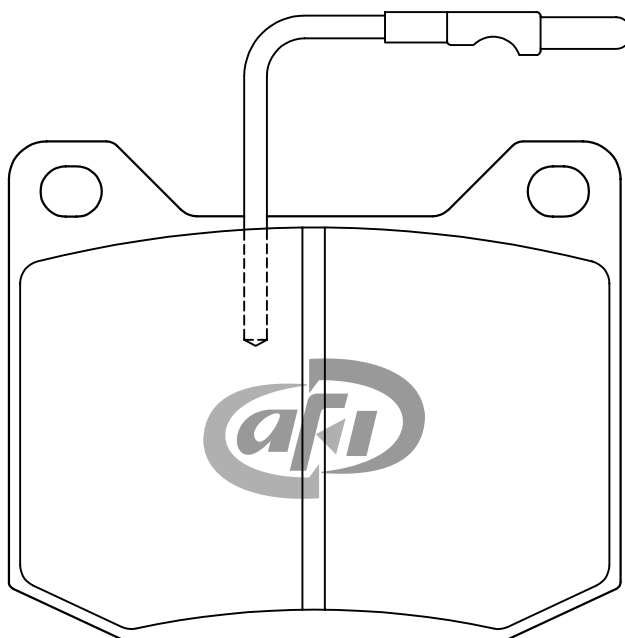


AUTOMOTIVE DISC PAD IDENTIFICATION



X = 87.0mm Y= 66.8mm Z= 16.5mm



X = 87.0mm Y= 66.8mm Z= 16.5mm

Part No : **DB 42**

Vehicle Make	Model	Year	F / R
PEUGEOT	155 2.0 i 16V Turbo/Q4	1992	FRONT