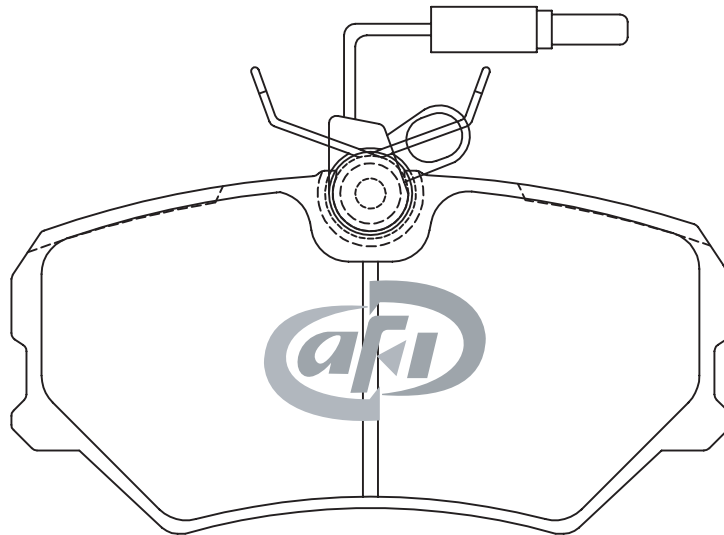


AUTOMOTIVE DISC PAD IDENTIFICATION



X = 95.0mm

Y = 48.0mm

Z = 19mm

Part No. WVA 23169

Vehicle Make	Model	Year	F / R
PEUGEOT	405	1987 - 92	FRONT