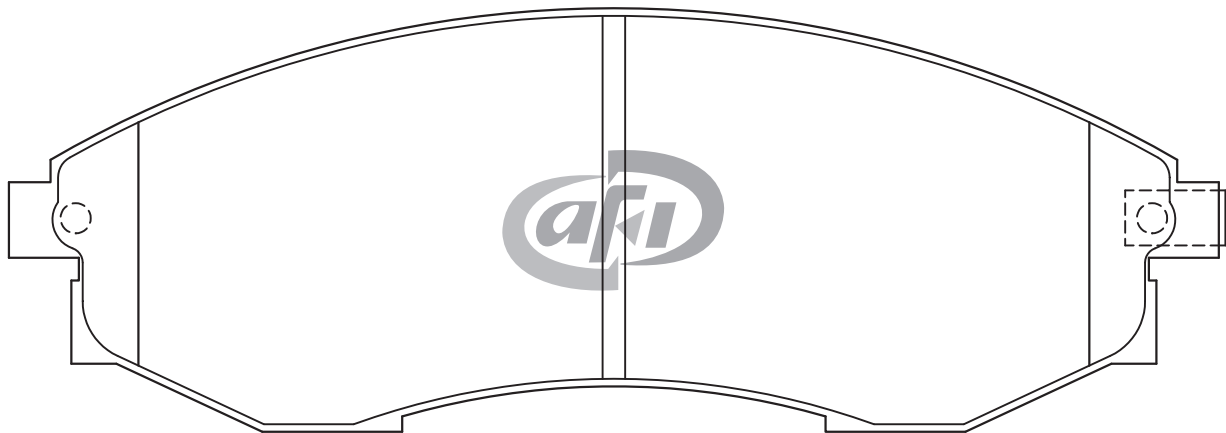
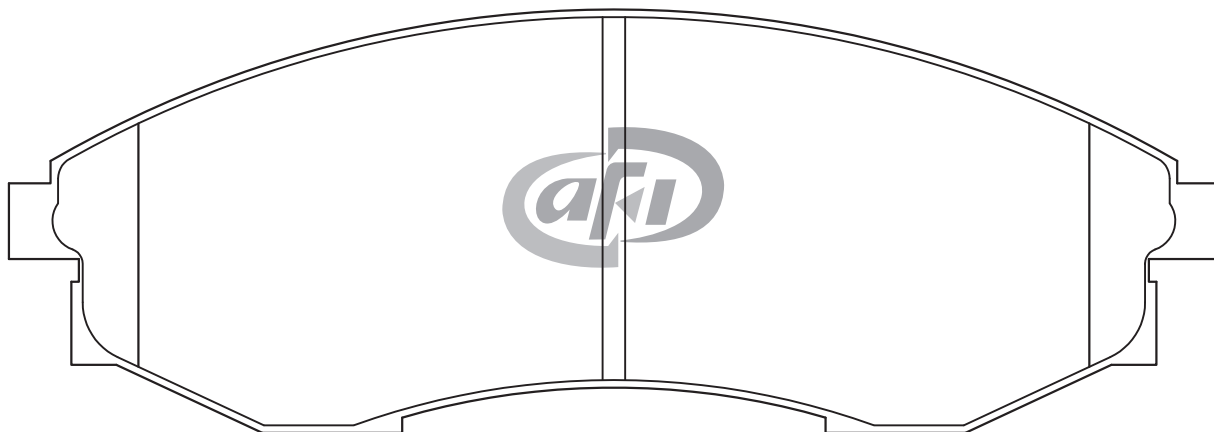


AUTOMOTIVE DISC PAD IDENTIFICATION



These pads are **RIGHT** and **LEFT HANDED**.

X = 160.0mm Y= 56.0mm Z= 15.0mm



X = 160.0mm Y= 56.0mm Z= 15.0mm

Part No : **DK 8009M**

Vehicle Make	Model	Year	F / R
HYUNDAI	MB 100	1987	FRONT