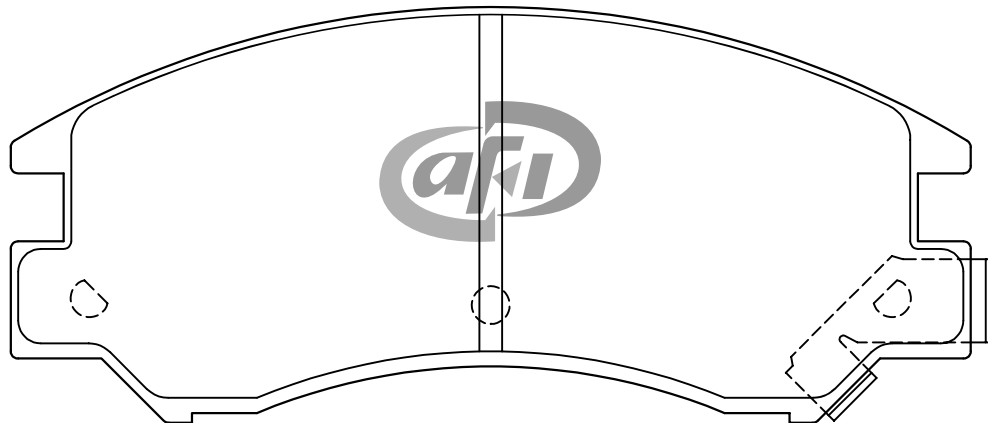
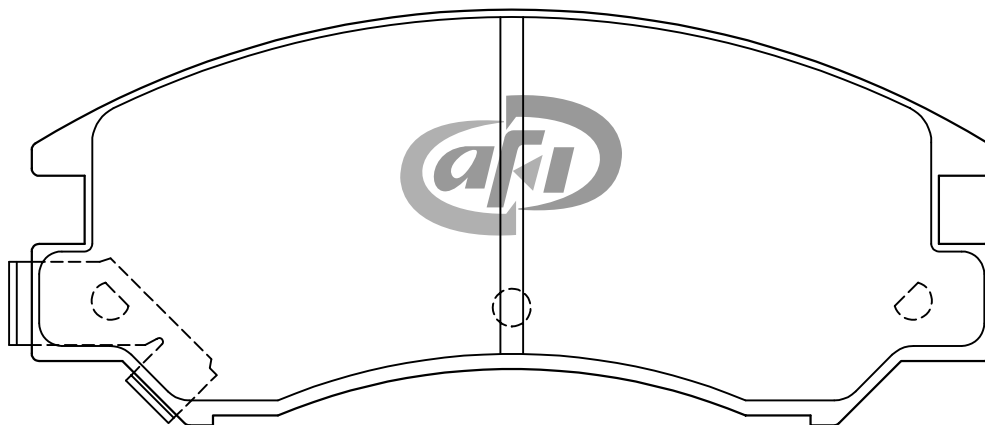


AUTOMOTIVE DISC PAD IDENTIFICATION



These pads are **RIGHT** and **LEFT HANDED**.

X = 127.0mm Y= 55.0mm Z= 18.0mm



X = 127.0mm Y= 55.0mm Z= 18.0mm

Part No : **D 7011M**

Vehicle Make	Model	Year	F / R
SUBARU	Leone 1600 AA2, AA3, AP2 Leone 1800 AA4, AA5, AA7, AG6	1984	FRONT