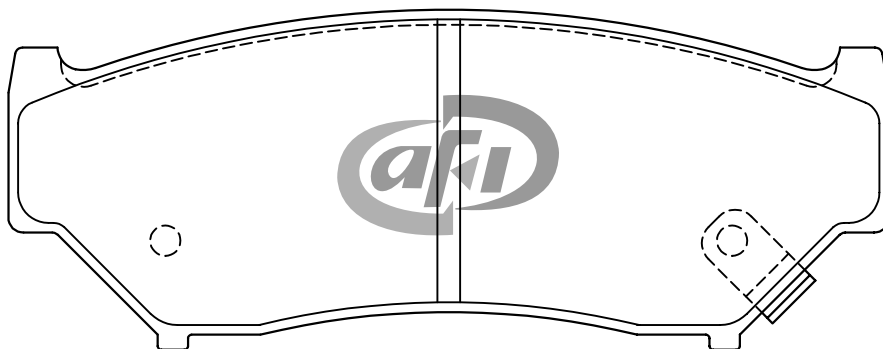
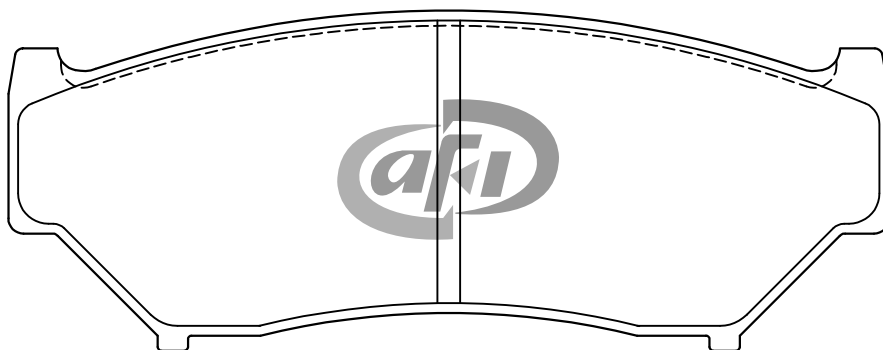


## AUTOMOTIVE DISC PAD IDENTIFICATION



These pads are **RIGHT** and **LEFT HANDED**.

X = 116.5mm Y= 45.0mm Z= 15.5mm



X = 116.5mm Y= 45.0mm Z= 15.5mm

Part No : **D 9019M**

Vehicle Make	Model	Year	F / R
SUZUKI	Vitara 1600 4 DRS Escudo 1600 TA01W	1994 1997	FRONT