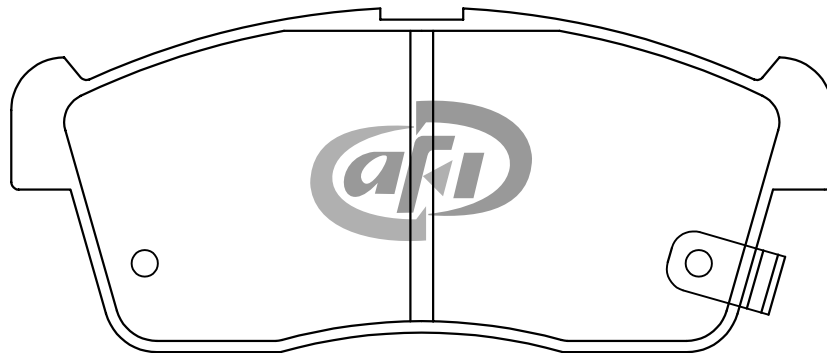
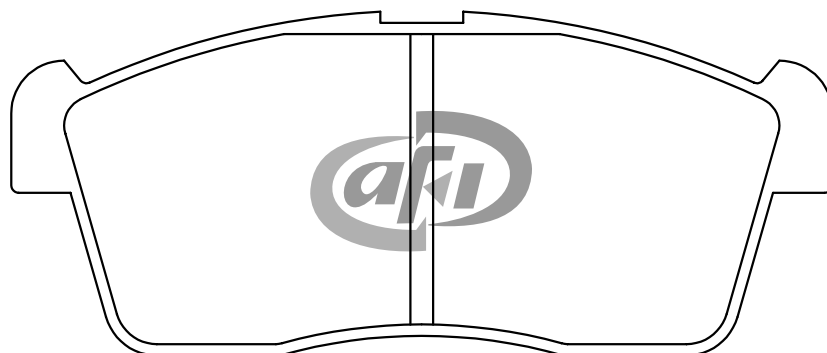


AUTOMOTIVE DISC PAD IDENTIFICATION



These pads are **RIGHT** and **LEFT HANDED**.

X = 108.6mm Y= 45.6mm Z= 14.5mm



X = 108.6mm Y= 45.6mm Z= 14.5mm

Part No : D 9029M

Vehicle Make	Model	Year	F / R
SUZUKI	ERV 1300 Every DA32W	2003	FRONT