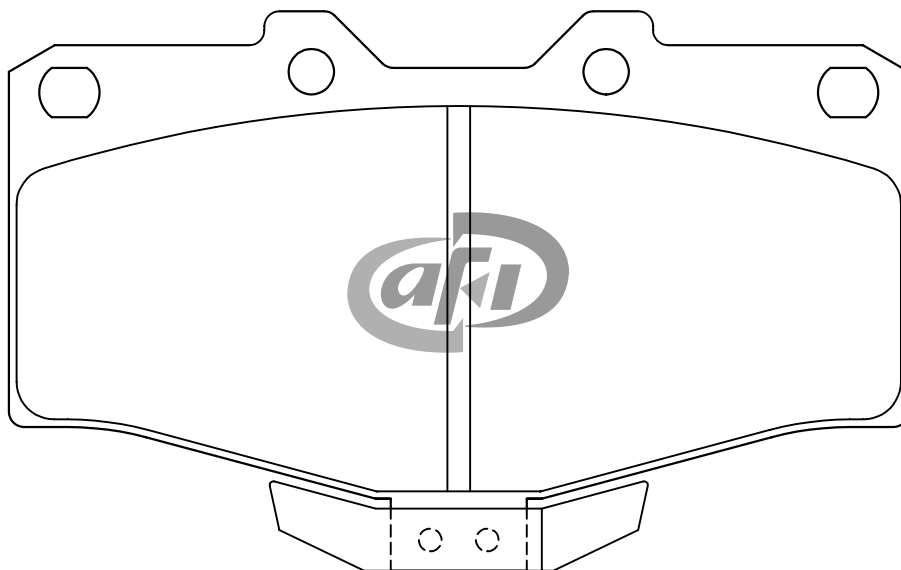
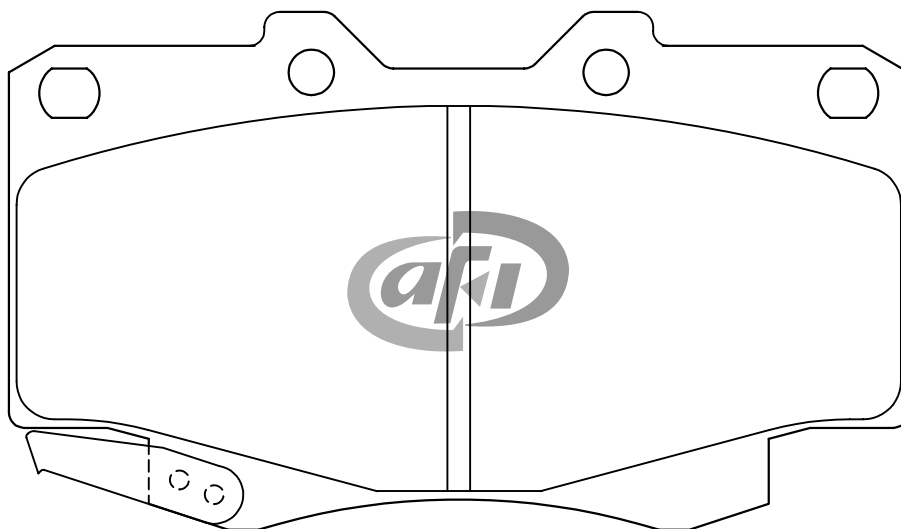


AUTOMOTIVE DISC PAD IDENTIFICATION



X = 119.0mm Y= 68.5mm Z= 15.0mm



These pads are **RIGHT** and **LEFT HANDED**.

X = 119.0mm Y= 74.0mm Z= 15.0mm

Part No : **D 2082M**

Vehicle Make	Model	Year	F / R
TOYOTA	Hilux YN106, LN106, Prado Hilux Surf YN130, LN130, LN130W Land Cruiser Prado HZJ70, 71, 72	1997 1998 1998	FRONT