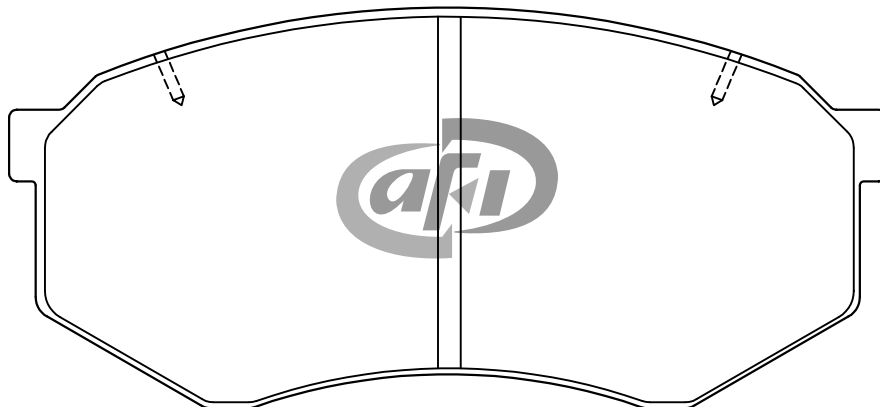


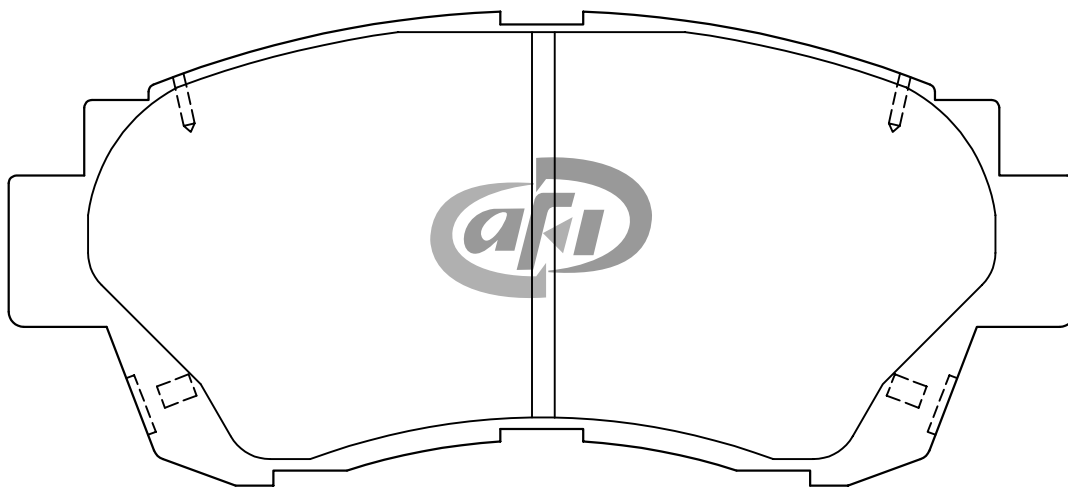
## AUTOMOTIVE DISC PAD IDENTIFICATION



X = 116.0mm Y= 53.0mm Z= 15.5mm

Part No : **D 2087**

Vehicle Make	Model	Year	F / R
TOYOTA	Cressida RX80, Crown GXS10 Corona Mark II	1988	FRONT



X = 141.0mm Y= 57.0mm Z= 17.0mm

Part No : **D 2088**

Vehicle Make	Model	Year	F / R
TOYOTA	Camry 2800, Lexus LS400 90'	1991	FRONT