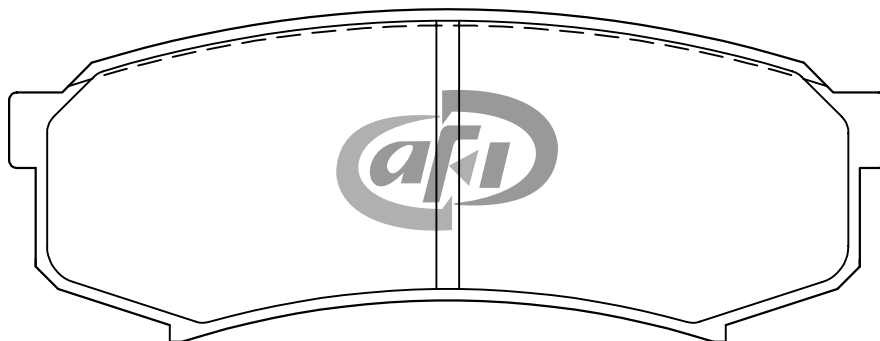


AUTOMOTIVE DISC PAD IDENTIFICATION



X = 116.0mm Y= 44.0mm Z= 15.5mm

Part No : **D 2090**

Vehicle Make	Model	Year	F / R
TOYOTA	LandCruiser FJ80G, Prado Hilux Surf DN215, W210W	1996 2004	REAR