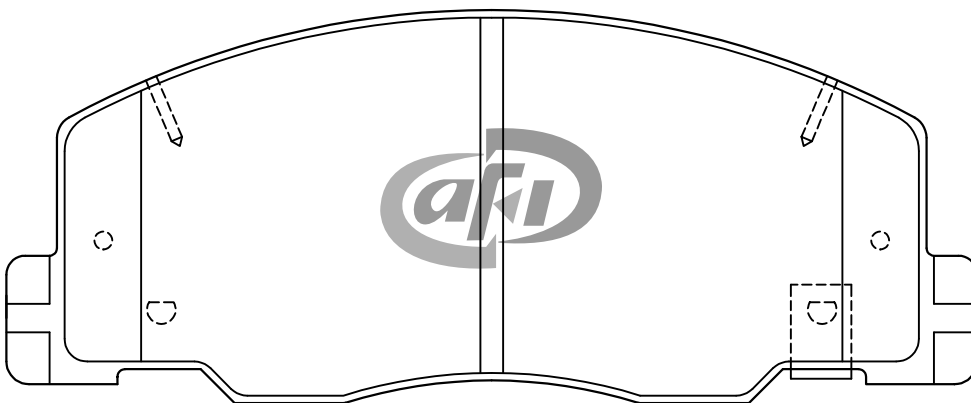
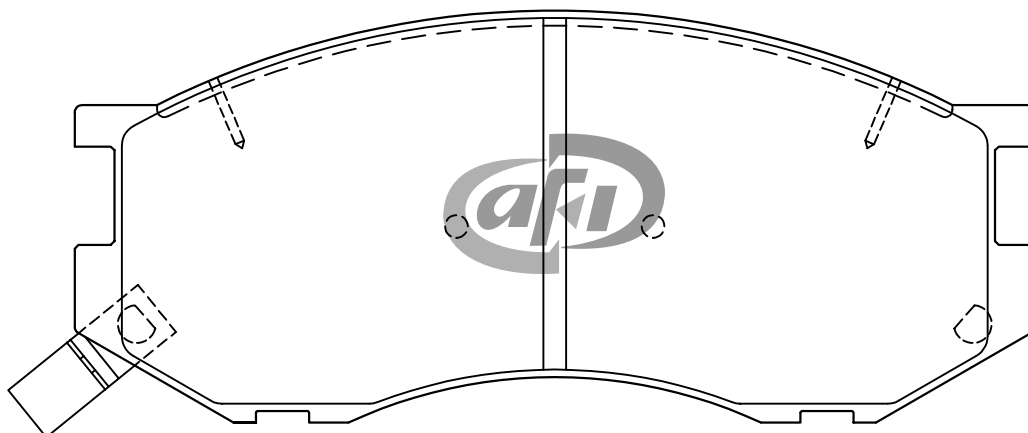


## AUTOMOTIVE DISC PAD IDENTIFICATION



These pads are **RIGHT** and **LEFT HANDED** .

X = 128.4mm Y= 52.0mm Z= 15.5mm



These pads are **RIGHT** and **LEFT HANDED** .

X = 126.8mm Y= 53.5mm Z= 15.5mm

Part No : **D 2150M**

Vehicle Make	Model	Year	F / R
TOYOTA	Unser 1.8 GL Estima Lucida CXR10,11,12,20,21	2003 2000	FRONT