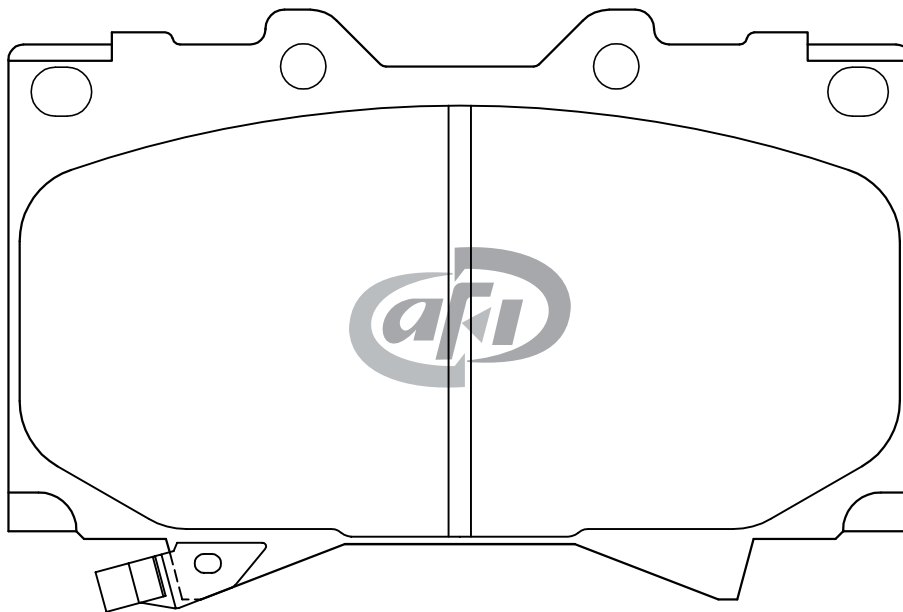
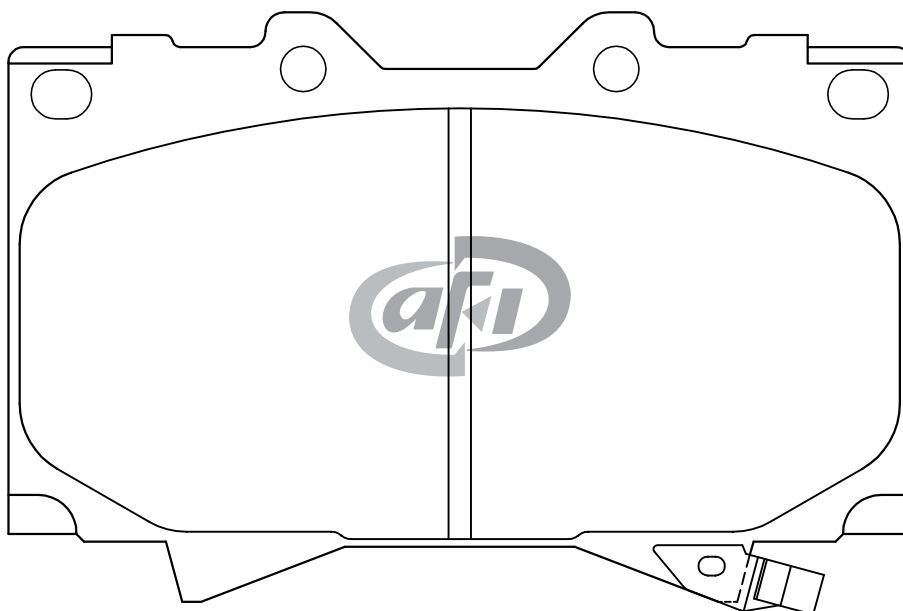


## AUTOMOTIVE DISC PAD IDENTIFICATION



X = 119.2mm Y= 78.0mm Z= 17.5mm



X = 119.2mm Y= 78.0mm Z= 17.5mm

Part No : **D 2177M**

Vehicle Make	Model	Year	F / R
TOYOTA	NINJA HBJ101V, HDJ101K, UZJ100W LandCruiser FZJ70 Hilux Surf YN130, LN130	2002 2001 2000	FRONT