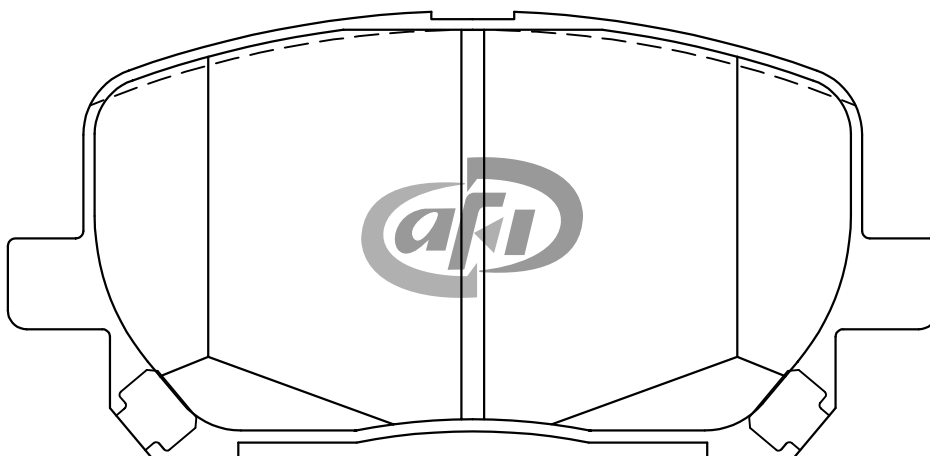


AUTOMOTIVE DISC PAD IDENTIFICATION



X = 123.0mm Y= 59.1mm Z= 17.0mm

Part No : **D 2217**

Vehicle Make	Model	Year	F / R
TOYOTA	Ipsum 2.4 Voliz 1.8	2001 2002	FRONT