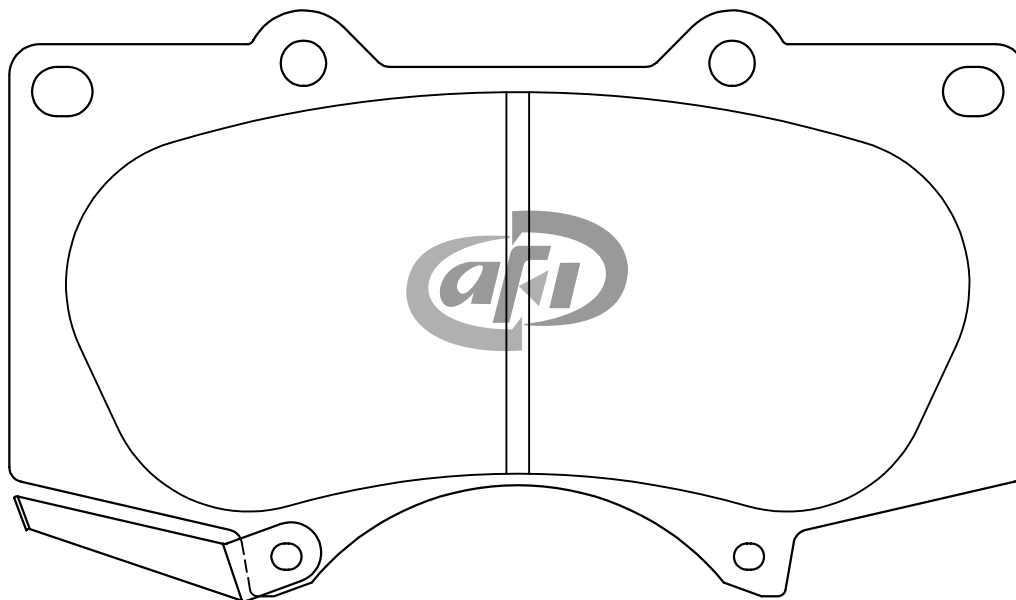
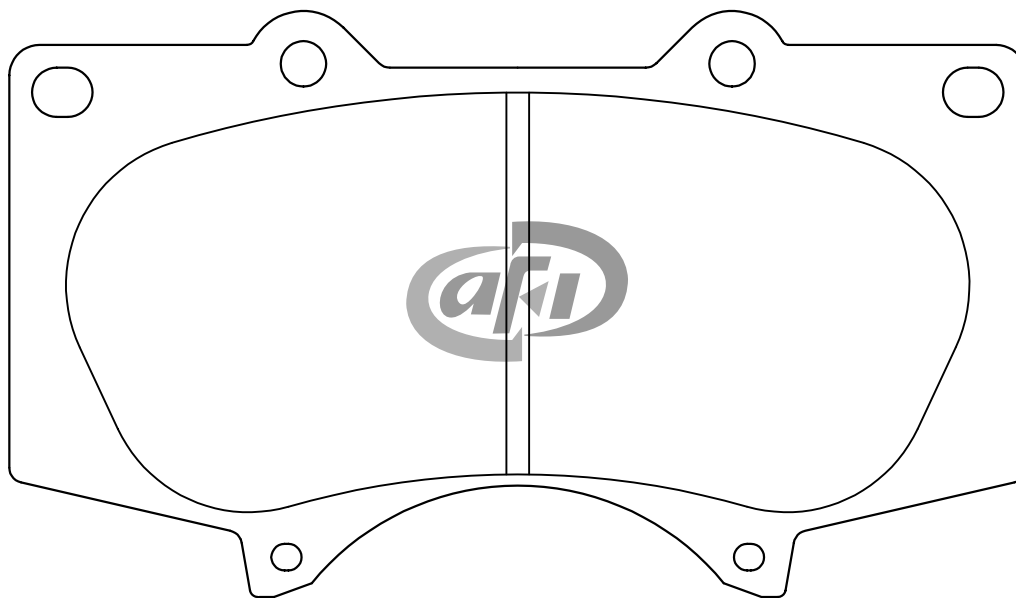


## AUTOMOTIVE DISC PAD IDENTIFICATION



These pads are **RIGHT** and **LEFT HANDED**.

X = 134.5mm Y= 77.5mm Z= 17.0mm



X = 134.5mm Y= 77.5mm Z= 17.0mm

Part No : **D 2228M**

Vehicle Make	Model	Year	F / R
TOYOTA	LandCruiser Prado III 2.7,3.0,3.4 Hilux Surf 3.0,3.4	2004	FRONT