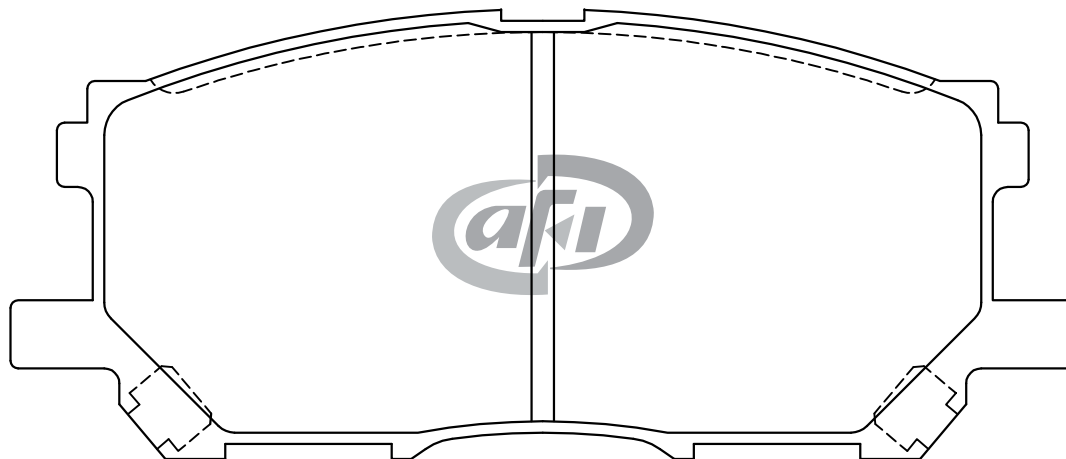


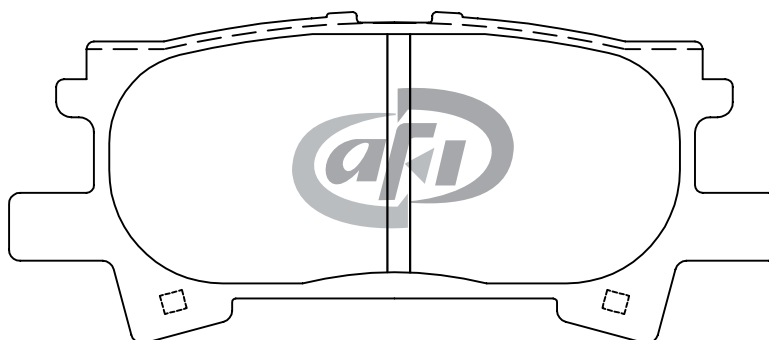
AUTOMOTIVE DISC PAD IDENTIFICATION



X = 140.8mm Y= 59.5mm Z= 16.0mm

Part No : **D 2805M**

Vehicle Make	Model	Year	F / R
TOYOTA	Harrier 2.4	2005	FRONT



X = 102.0mm Y= 43.7mm Z= 15.0mm

Part No : **D 2806**

Vehicle Make	Model	Year	F / R
TOYOTA	Harrier 2.4	2005	REAR