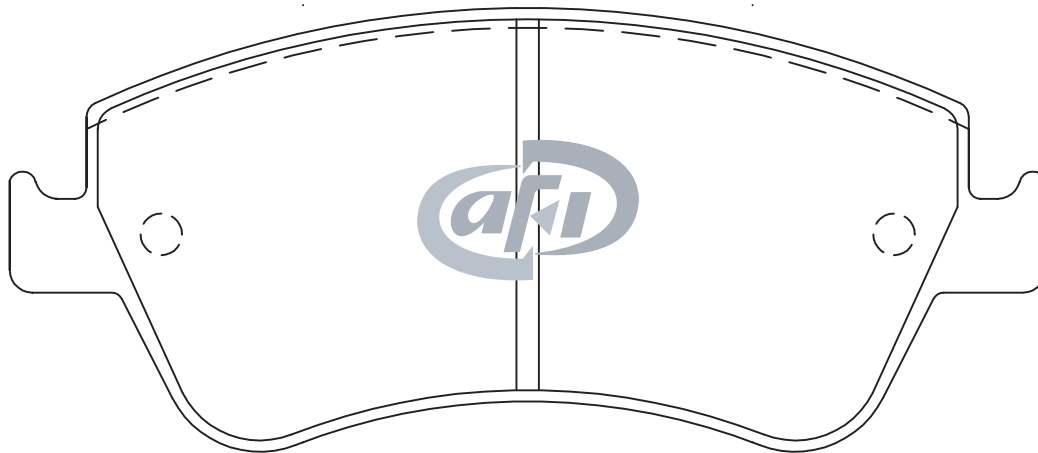
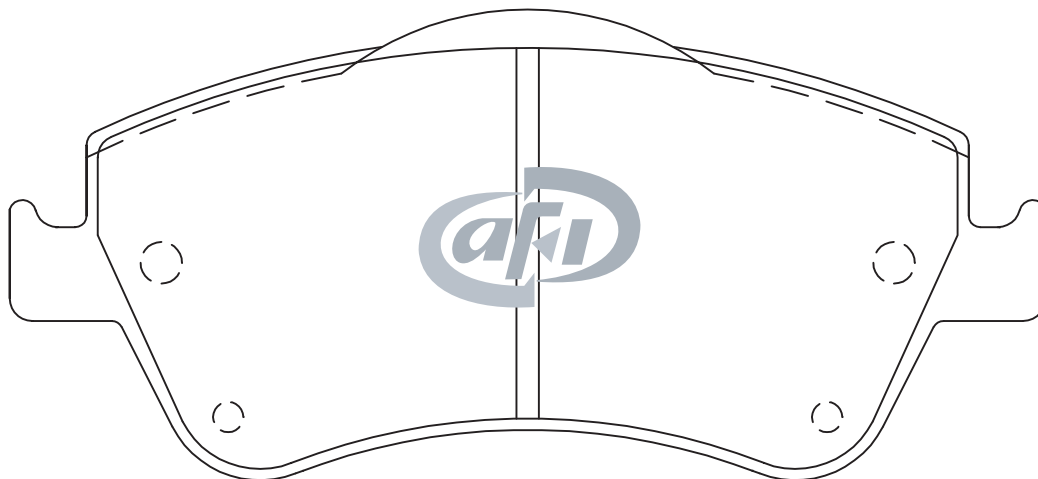
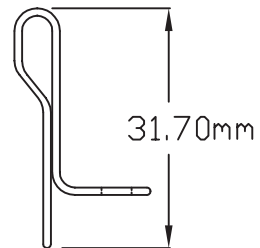


## AUTOMOTIVE DISC PAD IDENTIFICATION



X=137.0mm Y=61.0mm Z=17.0mm

Part No : D 2916

Vehicle Make	Model	Year	F / R
TOYOTA	Avensis 1.6, 1.8, 2.0	-	FRONT